



Projekte von Mitgliedern

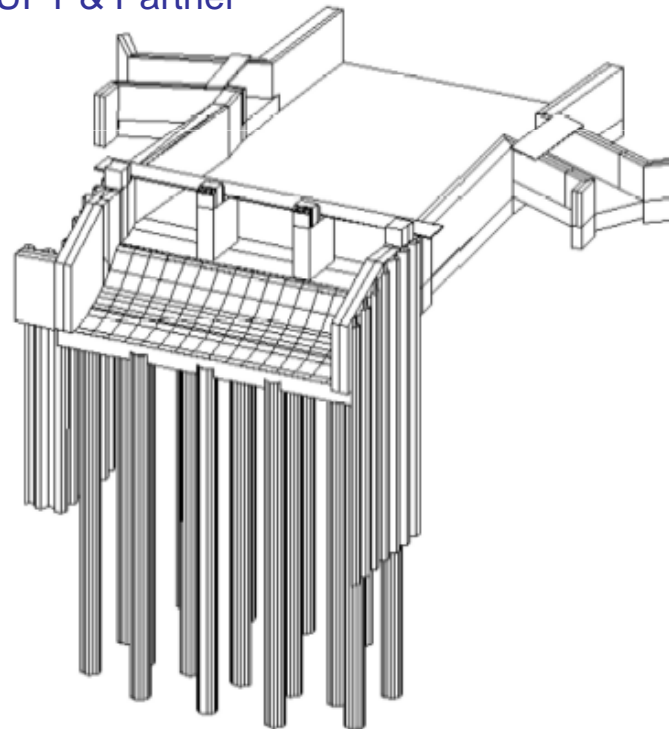


Klaus-Arno Herzberg

Master of Advanced Studies
 Dipl. Environmentscientist, Dipl. Engineer. (FH)
 Advisory (civil) engineer, Environmental Operating Examiner, acad. Regional Manager
 Expert for soil and water protection as well as refuse dumps
 Expert for landscape conservation and nature protection
 Expert for ecological planning and building
 Civil Adviser for energy efficiency for the Bank of Reconstruction and the BAFA

Netzwerk EAST
 Ingenieurgemeinschaft foesta, UPT & Partner
foesta consulting

Jähndorfstraße 24
 37355 Niederorschel
 Germany
 Tel: +49-36076 459012
 Fax: +49-36076-51000
 e-mail: foesta@foesta.de



- the second largest hydraulic structure in the free state of Thuringia
- from monks in the tenth century builtly
- an early form of the economic promotion by the construction of two new river runs if 9 new mills originated at that time
- from 1998 to 2001 when monument restores
- with very high control engineering

„STATE HELBE- WEIR WESTGREUSSEN“